

StarBoard TE-QS2

INTERACTIVE DISPLAY



StarBoard Advanced Touch Technology

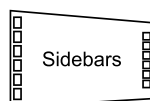
The StarBoard Interactive Flat Panel Displays provide the latest in infrared touch technology and the features you need to meet the demands of active presentation and training environments. The iconic sidebars part of the Starboard signature; help educators and presenters orientate themselves whilst in the Starboard software environment, making the experience easy to use and intuitive. The large interactive surface offers an incredible image and is an excellent platform for both classroom education and business training applications.

Proven Touch Screen Technology

Allows your choice of multi-finger touch, stylus pen or pointer response which can be used for writing, drawing and navigation.



Built-in Android 9.0



User friendly orientating sidebars



Compatible with Windows, Mac OS and Linux



Built in 15w Speakers

StarBoard TE-QS2

Specifications

Model TE-QS2	
Display	
Display Sizes	65" 75" 86"
Resolution	3840x2160
Active Area (mm)	65": 1428.48x803.52 (64.53")
	75": 1650.24x928.26 (74.52")
	86": 1895.04x1065.9 (88.56")
Glass	4mm tempered glass
View angle	178°
Aspect ratio	16:9
Brightness	350 cd/m2
Contrast	65": 4000:1
	75": 4000:1
	86": 1200:1
Colors	10 Bit + FRC (1.07 Billion)
Resolution supported	1024x768 / 1280x720 /
	1280x960 / 1280x1024 /
	1360x768 / 1440x900 /
	1600x1200 / 1920x1080 /
	3840x2160
Response time	65": 5-8 ms
	75": 6-8 ms
	86": 8-12 ms

Android specification	
System	Android 9.0
GPU	Quad core Mali G52
CPU	4*ARM Cortex-A55
RAM	3G
ROM	32G
Bluetooth	5.00

Touch specification	
Working temp.	0°C – 40°C
Touch points	Up to 20 Points
Writing mode	Finger, pen, or any non-transparent object
Touch Technology	IR Technology
Accuracy	<3 mm
Positioning Res.	4096x4096/16384x16384/32768x32768
Response time	<8ms
Cursor speed	>180 dot/Sec
Comm. Port	USB

Input / Output connections				
	Back input	Front input	Back output	OPS *
WIFI	1 (5G)			
RJ45	1			
Touch Port	1			
HDMI 2.0	2	1		1
VGA	1			1
Audio	1			1
RS232	1			
SD Card	1			
YPbPr	1			
DP	1			
HeadPhone			1	
AV	1			
COXIAL			1	
USB 2.0	1	2		
Touch USB	1	1		1
USB 3.0	1	1		
USB Type-C		1		

* OPS is based on an Intel Core i5 processor witch is an optional extra.

Power specification	
Standby	<1 W
Rated	65": 220W
	75": 250W
	86": 350W
Voltage range	AC (100-240) V-50/ 60Hz

General	
Weight (N.W)	65": 42 Kg
	75": 55.0 Kg
	86": 71 Kg
Weight (G.W)	65": 55 Kg
	75": 71 Kg
	86": 94 Kg
Packaging dimensions	65": 1646x1074x240 mm
	75": 1873x1204x240 mm
	86": 2120x1353x240 mm
Product dimensions	65": 1507.2x914.9x89 mm
	75": 1729.4x89.2x1040 mm
	86": 1975.6x1178.7x89.2 mm
Life span	50.000 Hours

StarBoard Solution GmbH

Am Borsigturm 53
13507 Berlin, Germany
Tel.: +49 (0)30 8877 2600

Email: berlin@starboard-solution.com

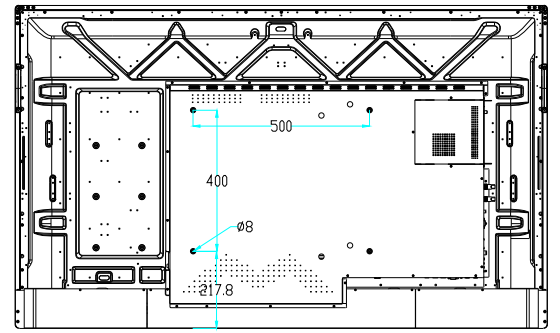
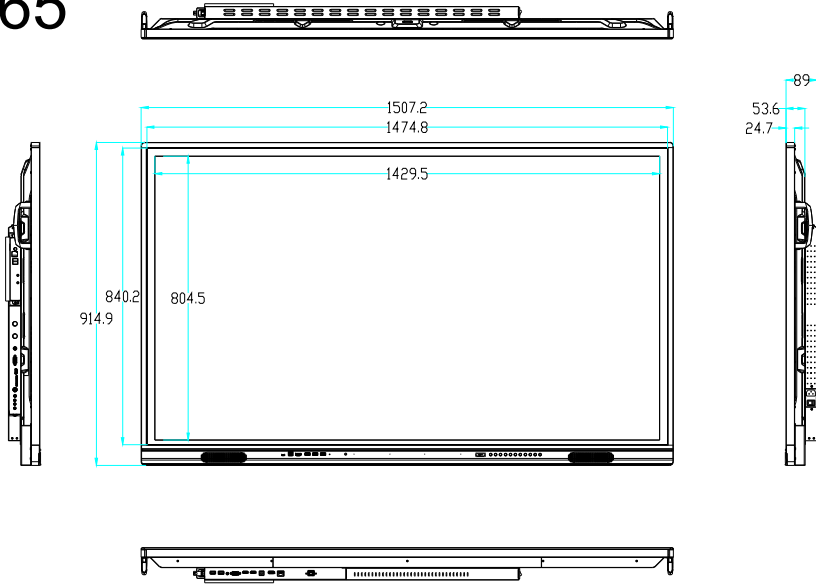
www.starboard-solution.eu



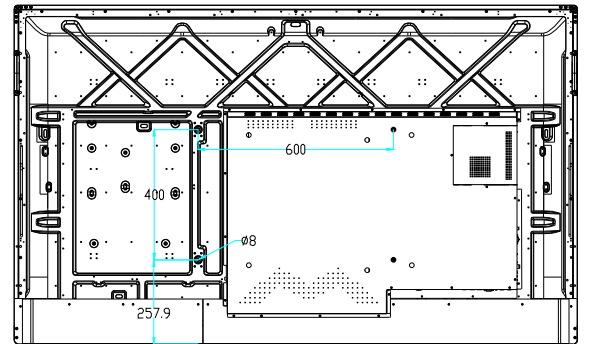
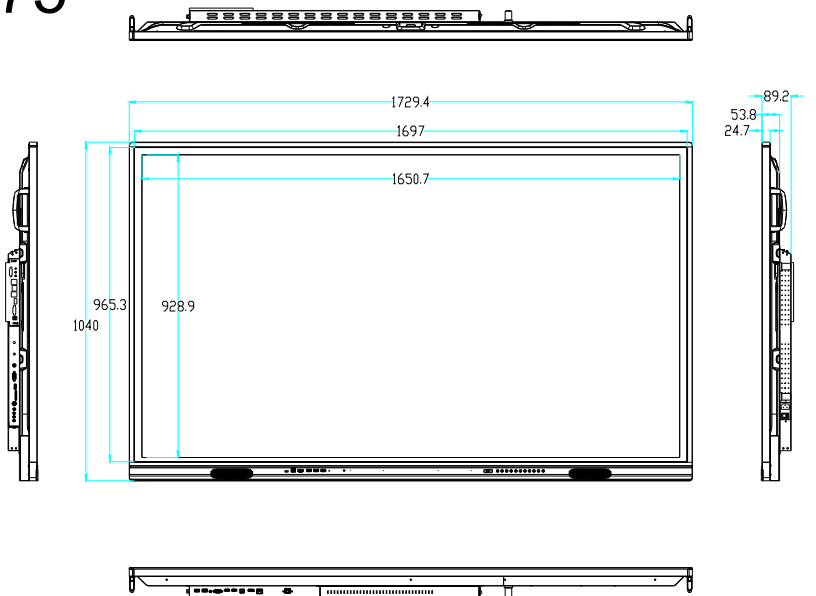
StarBoard[®]
INTERACTIVE SINCE 2001

StarBoard TE-QS2

65"



75"



86"

